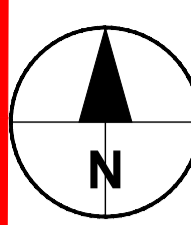
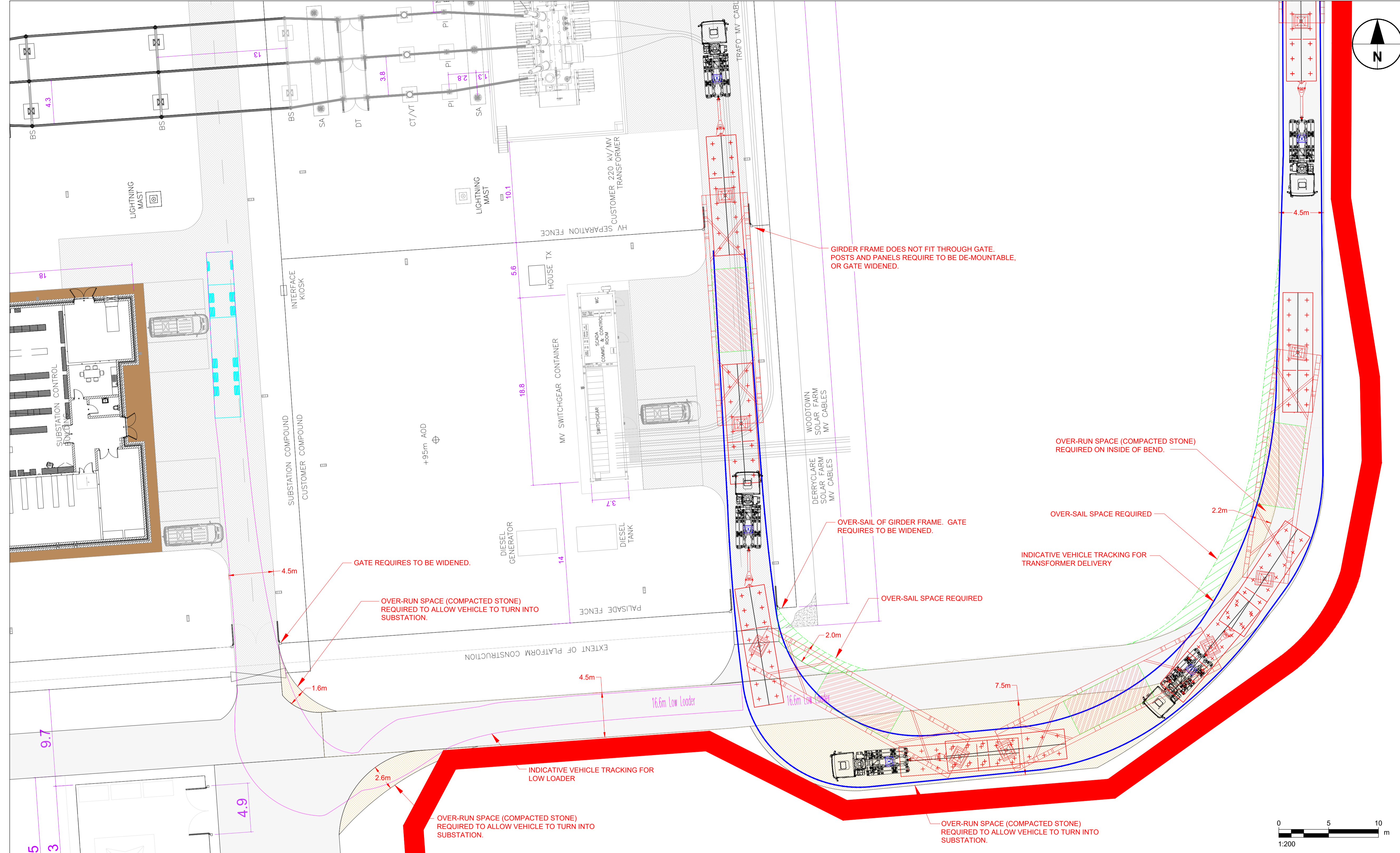


Approved PO  
 Checked EP  
 Designer DWT  
 PM Initials  
 2023-06-21  
 Last Plotted: 2023-06-21  
 File name: L:\DUBLIN\HEDBLZLEGACY\IEDBLZP001\DATA\AD\CS\PROJECTS\BPI60657534\_SUMMERHILL\FIELDSTOWNS\DI900\_CAD\_GIS\910\_CAD\CULMULLIN\PLANNING FOLDER\60657534-ACM-DWG-520 TO 527 DWG



**AECOM**  
 PROJECT  
**CULMULLIN 220 kV SUBSTATION**  
 CLIENT  
**ENERGIA SOLAR HOLDINGS LTD.**  
  
 CONSULTANT  
 AECOM  
 Adelphi Plaza  
 Georges Street Upper  
 Dun Laoghaire  
 County Dublin  
 Ireland  
 T +353 (0)1 2383100  
 www.aecom.com  
 LEGEND

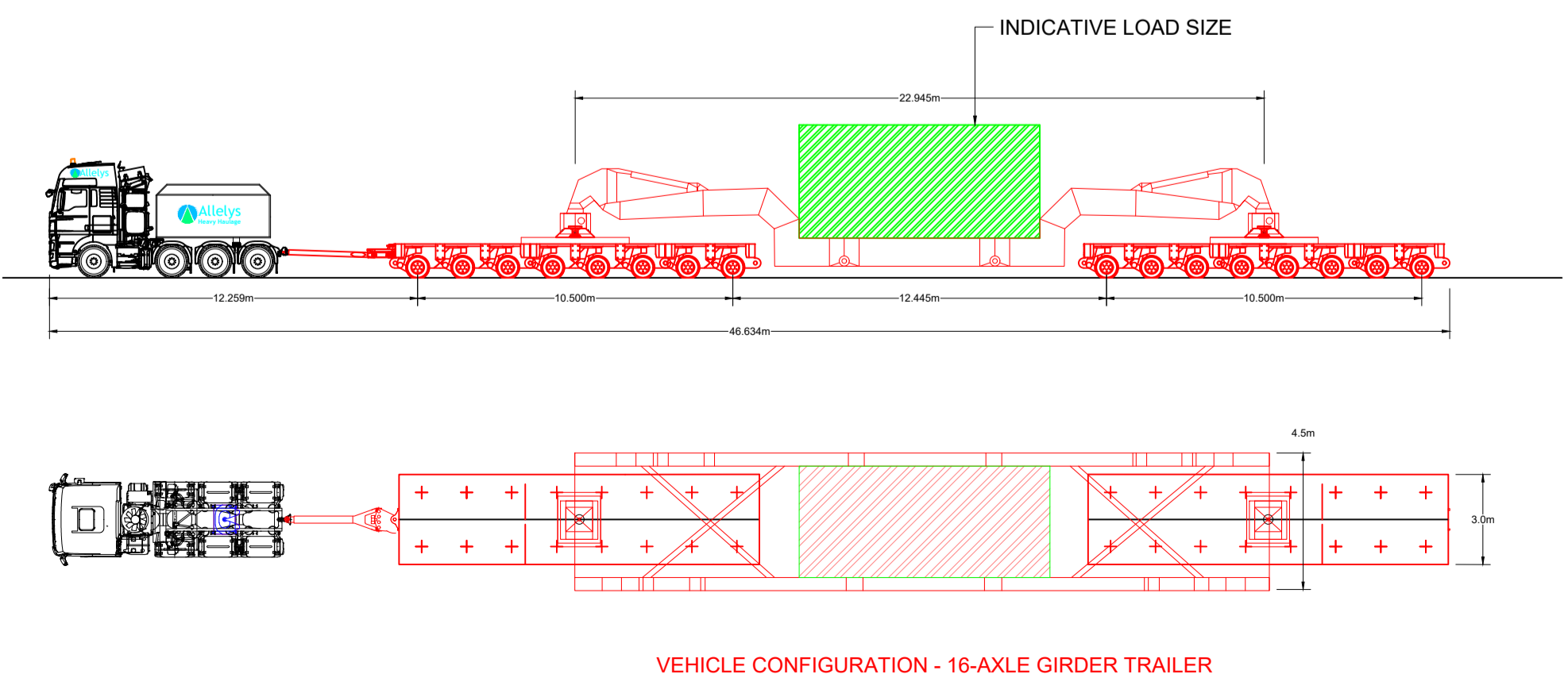
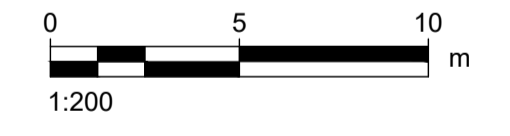
— PROPOSED DEVELOPMENT BOUNDARY

**NOTES**

...

**ISSUE/REVISION**

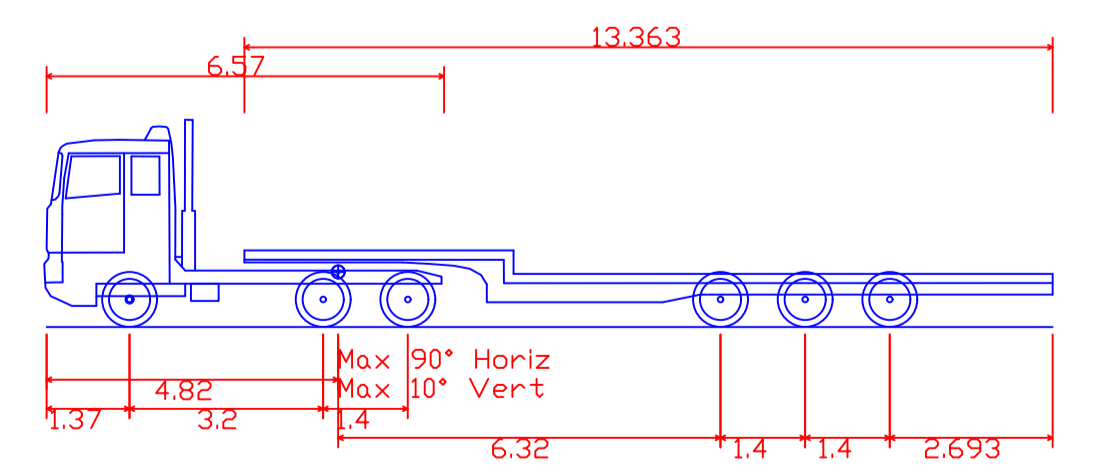
NO.	DATE	DESCRIPTION
2	26.05.23	BOUNDARY UPDATE
1	27.03.23	REVISED REDLINE BOUNDARY



VEHICLE CONFIGURATION - 16-AXLE GIRDER TRAILER

- VEHICLE TRACKING SHOWN IS INDICATIVE ONLY, AND REPRESENTS APPROXIMATE VEHICLE SIZE ANTICIPATED FOR TRANSFORMER DELIVERY. SPECIFIC VEHICLE TO BE DETERMINED BY EQUIPMENT SUPPLIER / HAULIER.
- DEFINITIVE VEHICLE TRACKING OF SPECIFIC DELIVERY VEHICLE REQUIRES TO BE CARRIED OUT BY HAULIER, TO ENSURE DESIRED MANOEUVRES ARE ACHIEVABLE, AND TO CONFIRM ANY REQUIRED ROAD WIDENING, TEMPORARY WORKS, etc.

- KEY:**
- APPROXIMATE VEHICLE WHEEL TRACK (TRANSFORMER DELIVERY)
  - OVER-RUN SPACE REQUIRED (COMPACTED STONE)
  - OVER-SAIL SPACE REQUIRED
  - APPROXIMATE VEHICLE WHEEL TRACK (LOW LOADER)



16.6m Low Loader	16.633m
Overall Length	2.600m
Overall Width	3.425m
Min Body Ground Clearance	0.350m
Track Width	2.600m
Lock to lock time	0.005s
Wall to Wall Turning Radius	9.000m

ORDNANCE SURVEY IRELAND LICENCE No. CYAL50217544  
 ©ORDNANCE SURVEY IRELAND / GOVERNMENT OF IRELAND

**STATUS**  
**FOR PLANNING**  
 PROJECT NUMBER 60657534 SCALE 1:200 @ A1  
 SHEET TITLE  
 CULMULLIN 220 kV SUBSTATION  
 INDICATIVE VEHICLE TRACKING  
 Sheet 8 of 8  
 SHEET NUMBER 60657534-ACM-DWG-CM-527 REV 2

This drawing has been prepared for the use of AECOM's client. It may not be used, modified, reproduced or relied upon by third parties, except as agreed by AECOM or as required by law. AECOM accepts no responsibility, and denies any liability, whatsoever, to any party that uses or relies on this drawing without AECOM's express written consent. Do not scale this document. All measurements must be obtained from the stated dimensions.